



Data Sheet

# PLUS+1<sup>®</sup> Expansion Module OX012-110



**Mobile Machine Management**

The OX012-110 output expansion module is an element of the flexible, powerful and expandable PLUS+1 family of mobile machine management products. Expansion modules provide cost-effective additional I/O to mobile machine control systems.

**Product Highlights**

Output expansion modules are associated with a PLUS+1 controller. PLUS+1 GUIDE (Graphical User Integrated Development Environment) applications running in the controller write outputs to expansion module pins as if the pins are physically located on the controller. Pin properties are configured in the controller's GUIDE application.

PLUS+1 compliance eliminates need for the system designer to write CAN transmit and receive messages in both the controller and associated expansion modules.

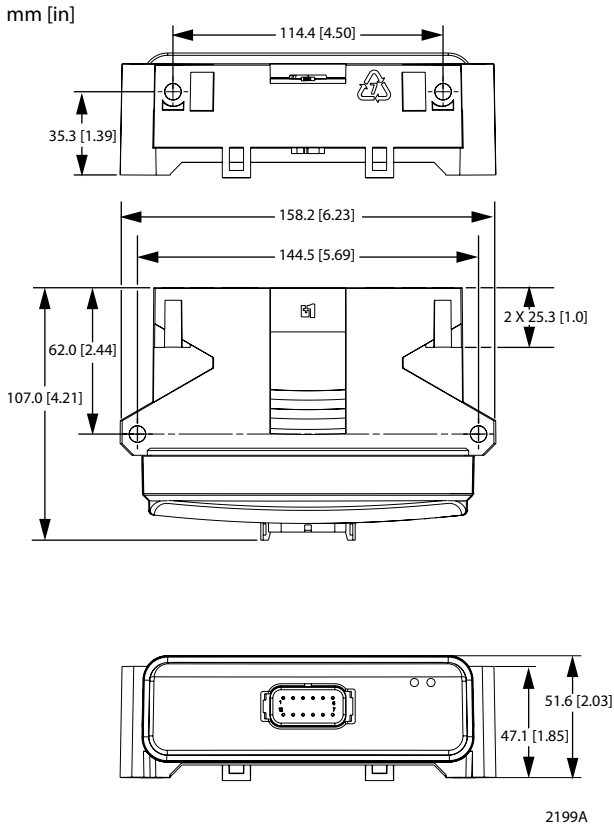
**Application Development**

Users configure expansion modules using PLUS+1 GUIDE. This Microsoft® Windows®-based development environment features a user-friendly, field proven, icon-based graphical programming tool, application downloader, and service/ diagnostic tool.

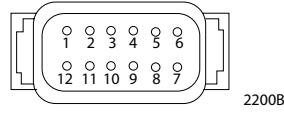
**Features**

- 12 pin Deutsch® DTM connector
- 6 outputs
  - (6) universal (PWMOUT/DOUT/PVGOUT) that are user-defined as either:
    - Digital:* (3 A), configurable as a source or sink;
    - PWM:* (30 to 4000 Hz) configurable as open or closed loop with current control;
    - Analog voltage:* open loop PWM at 4000 Hz.
  - Any PWMOUT/DOUT/PVGOUT can be used to provide reference power to one PVG valve.
- 9 to 36 Vdc power supply, monitored internally
- 1 CAN 2.0B port
- 3 mounting alternatives: stack, end , or side
- CE compliant

OX012-110 Dimensions and Pin Assignments



12 Pin Connector



Pin	Controller function
C1-P1	Power ground -
C1-P2	Power supply +
C1-P3	CAN +
C1-P4	CAN -
C1-P5	CAN shield
C1-P6	PWMOUT/DOUT/PVGOUT
C1-P7	PWMOUT/DOUT/PVGOUT
C1-P8	PWMOUT/DOUT/PVGOUT
C1-P9	PWMOUT/DOUT/PVGOUT
C1-P10	PWMOUT/DOUT/PVGOUT
C1-P11	PWMOUT/DOUT/PVGOUT
C1-P12	Power supply +

Use care when wiring mating connector.  
Above pinouts are for device pins.

**Caution**

PCB damage may occur. All device power supply + pins must be connected to battery +.

**Caution**

This device is not field serviceable. Opening the device housing will void the warranty.

Specifications

Supply voltage	9 to 36 Vdc
Operating temperature (ambient)	-40°C to 70°C [-40°F to 158°F]
Storage temperature	-40°C to 85°C [-40°F to 185°F]
Programming temperature	-40°C to 70°C [-40°F to 158°F]
IP rating (with mating connector attached)	IP 67
EMI/ RFI rating	100 V/m
Weight	0.34 kg [0.75 lb]
Vibration	IEC 60068-2-64
Shock	IEC 60068-2-27 test Ea
Maximum current, sourcing	16 A
Maximum current, sinking	8 A

Ordering Information

OX012-110	11130918	
<b>Related product</b>	<b>Danfoss material number</b>	
CG150 CAN/USB Gateway	10104136	
Deutsch® mating connector bag assembly	10102025 (16 to 20 AWG)	10100944 (20 to 24 AWG)
PLUS+1 GUIDE single user license	10101000	

Danfoss product literature on line at:  
[www.danfoss.com](http://www.danfoss.com)

**Danfoss Power Solutions (US) Company**  
2800 East 13th Street  
Ames, IA 50010, USA  
Phone: +1 515 239 6000

**Danfoss Power Solutions GmbH & Co. OHG**  
Krokamp 35  
D-24539 Neumünster, Germany  
Phone: +49 4321 871 0

**Danfoss Power Solutions ApS**  
Nordborgvej 81  
DK-6430 Nordborg, Denmark  
Phone: +45 7488 2222

**Danfoss Power Solutions Trading (Shanghai) Co. Ltd.**  
Building #22, No. 1000 Jin Hai Rd  
Jin Qiao, Pudong New District  
Shanghai, China 201206  
Phone: +86 21 3418 5200

Danfoss can accept no responsibility for possible errors in catalogues, brochures and other printed material. Danfoss reserves the right to alter its products without notice. This also applies to products already on order provided that such alterations can be made without changes being necessary in specifications already agreed. All trademarks in this material are property of the respective companies. Danfoss and the Danfoss logotype are trademarks of Danfoss A/S. All rights reserved.