



Data Sheet

PLUS+1[®] Expansion Module IX024-010



Mobile Machine Management

The IX024-010 input expansion module is an element of the flexible, powerful and expandable PLUS+1 family of mobile machine management products. Expansion modules provide cost-effective additional I/O to mobile machine control systems.

Product Highlights

Input expansion modules are associated with a PLUS+1 controller. PLUS+1 GUIDE (Graphical User Integrated Development Environment) applications running in the controller read inputs from expansion module pins as if the pins are physically located on the controller. Pin properties are configured in the controller's GUIDE application.

PLUS+1 compliance eliminates need for the system designer to write CAN transmit and receive messages in both the controller and associated expansion modules.

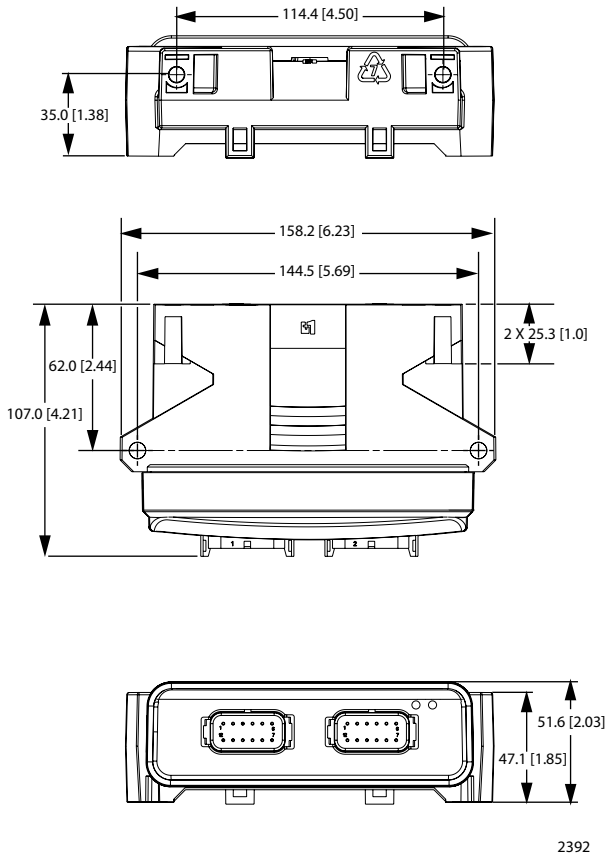
Application Development

Users configure expansion modules using PLUS+1 GUIDE. This Microsoft® Windows®-based development environment features a user-friendly, field proven, icon-based graphical programming tool, application downloader, and service/diagnostic tool.

Features

- 24 pins: (2) individually keyed Deutsch® DTM 12 pin connectors
- 18 inputs
 - (7) universal (DIN/AIN/FreqIN) that the user can define as either:
 - Analog:* with configurable ranges 0 to 5.25 Vdc (with over range protection) or 0 to 36 Vdc;
 - Digital:* pull up (5 Vdc), pull down (0 Vdc) or pull to center (2.5 Vdc);
 - Frequency (timing):* 1 Hz to 10 kHz
 - (4) analog (AIN/Temp/Rheo) 0 to 5 Vdc or 0 to 10,000 ohm rheostat
 - (6) digital (DIN) configurable as pull up (5 Vdc), pull down (0 Vdc)
 - (1) fixed-range analog (AIN/CAN shield) 0 to 5.25 Vdc or CAN shield pin
- 10 to 36 Vdc power supply, monitored internally
- Power supply for external sensors rated at 5 Vdc to 200 mA and regulated internally
- 3 mounting alternatives: stack, end, or side
- CE compliant

IX024-010 Dimensions and Pin Assignments mm [in]



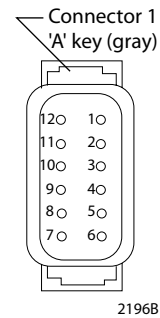
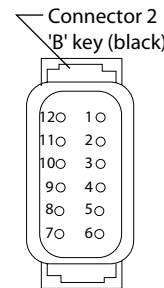
24 Pin

Connector 2

Pin	Controller function
C2-P1	DIN
C2-P2	DIN/AIN/FreqIN
C2-P3	DIN/AIN/FreqIN
C2-P4	DIN/AIN/FreqIN
C2-P5	DIN/AIN/FreqIN
C2-P6	DIN/AIN/FreqIN
C2-P7	DIN/AIN/FreqIN
C2-P8	DIN/AIN/FreqIN
C2-P9	AIN/Temp/Rheo
C2-P10	AIN/Temp/Rheo
C2-P11	AIN/Temp/Rheo
C2-P12	AIN/Temp/Rheo

Connector 1

Pin	Controller function
C1-P1	Power ground -
C1-P2	Power supply +
C1-P3	CAN +
C1-P4	CAN -
C1-P5	AIN/CAN shield
C1-P6	5 Vdc sensor power +
C1-P7	Sensor power ground -
C1-P8	DIN
C1-P9	DIN
C1-P10	DIN
C1-P11	DIN
C1-P12	DIN



Use care when wiring mating connector.
Above pinouts are for device pins.

Caution

This device is not field serviceable. Opening the device housing will void the warranty.

Specifications

Supply voltage	10 to 36 Vdc
Operating temperature (ambient)	-40°C to 70°C [-40°F to 158°F]
Storage temperature	-40°C to 85°C [-40°F to 185°F]
IP rating (with mating connector attached)	IP 67
EMI/ RFI rating	100 V/m
Weight	0.40 kg [0.88 lb]
Vibration	IEC 60068-2-64
Shock	IEC 60068-2-27 test Ea

Ordering Information

IX024-010	10100998
-----------	----------

Related product	Danfoss material number	
CG150 CAN/USB Gateway	10104136	
Deutsch® mating connector bag assembly	10102023 (16 to 20 AWG)	10100945 (20 to 24 AWG)
PLUS+1 GUIDE single user license	10101000	

Comprehensive technical information: PLUS+1 Controller Family Technical Information, **520L0719**;
PLUS+1 Compliant IX024-010 Function Block User Manual, **11063397**
Danfoss product literature on line at: www.danfoss.com

Danfoss Power Solutions (US) Company
2800 East 13th Street
Ames, IA 50010, USA
Phone: +1 515 239 6000

Danfoss Power Solutions GmbH & Co. OHG
Krokamp 35
D-24539 Neumünster, Germany
Phone: +49 4321 871 0

Danfoss Power Solutions ApS
Nordborgvej 81
DK-6430 Nordborg, Denmark
Phone: +45 7488 2222

Danfoss Power Solutions Trading (Shanghai) Co. Ltd.
Building #22, No. 1000 Jin Hai Rd
Jin Qiao, Pudong New District
Shanghai, China 201206
Phone: +86 21 3418 5200

Danfoss can accept no responsibility for possible errors in catalogues, brochures and other printed material. Danfoss reserves the right to alter its products without notice. This also applies to products already on order provided that such alterations can be made without changes being necessary in specifications already agreed. All trademarks in this material are property of the respective companies. Danfoss and the Danfoss logotype are trademarks of Danfoss A/S. All rights reserved.